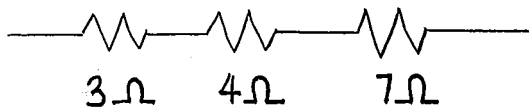


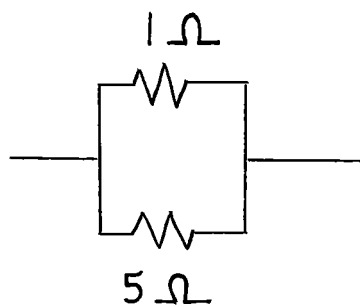
Electric Circuits Worksheet

1. Determine the total resistance for each of the following:

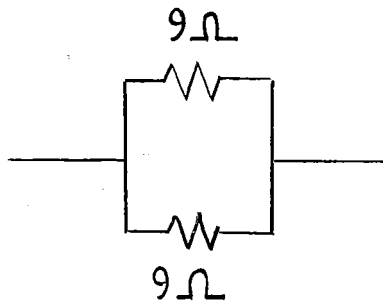
a)



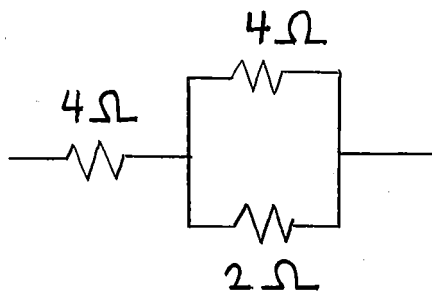
b)



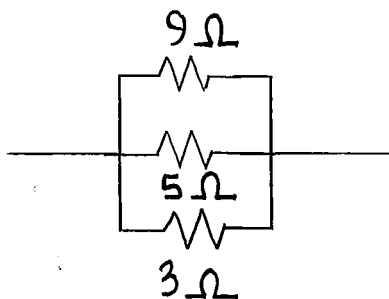
c)



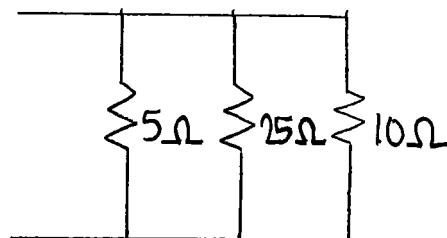
d)



e)

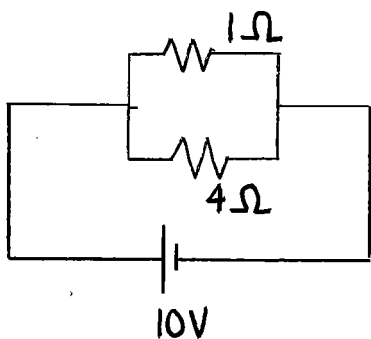


f)

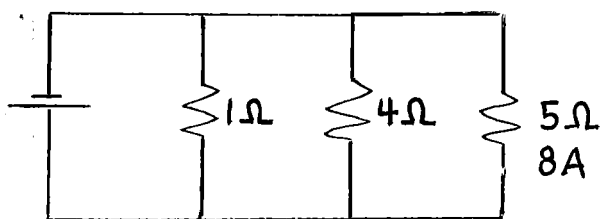


2. Solve the following circuits (find the current, voltage and resistance for each element in the circuit).

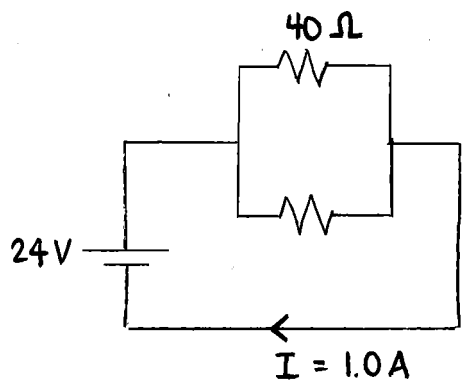
a)



b)



c)



d)

